

Units: **Millimeters**  
**INCHES**

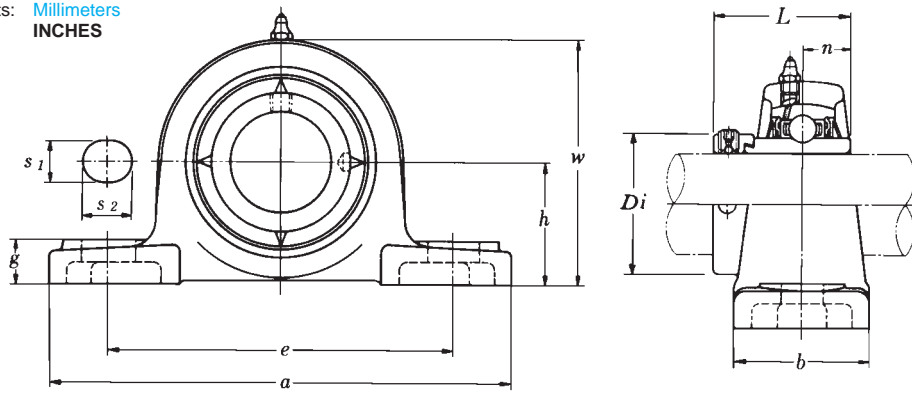


### PILLOW BLOCKS - CAST HOUSING

Shaft Dia.	Complete Pillow Block Number	Nominal Dimensions											Bolt Size	Housing Number	Bearing Number	Basic Load Ratings (lbs)	
		<i>h</i>	<i>a</i>	<i>e</i>	<i>b</i>	<i>s<sub>1</sub></i>	<i>s<sub>2</sub></i>	<i>g</i>	<i>w</i>	<i>Di</i>	<i>L</i>	<i>n</i>				<i>C</i>	<i>C<sub>0</sub></i>
20 ¾	UEL204D1 UEL204-012T	33.3 1 ⅞	127 5	95 3 ¾	38 1 ½	13 ½	16 ⅝	14 ⅞	65 2 ⅞	33.3 1.31	43.7 1.720	17.1 .673	M10 ⅝	P204D1 P204T	UEL204D1 UEL204-012D1	2,890	1,500
25 1 ⅜ 7/8 1 ⅞ 1	UEL205D1 UEL205-013T UEL205-014T UEL205-015T UEL205-100T	36.5 1 7/16	140 5 ½	105 4 ⅞	38 1 ½	13 ½	16 ⅝	15 1 ⅜	71 2 5/8	38.1 1.50	44.4 1.748	17.5 .689	M10 ⅝	P205D1 P205T P205T P205T P205T	UEL205D1 UEL205-013D1 UEL205-014D1 UEL205-015D1 UEL205-100D1	3,150	1,770
30 1 1/8 1 1/8 1 3/16 1 1/4	UEL206D1 UEL206-101T UEL206-102T UEL206-103T UEL206-104T	42.9 1 11/16	165 6 ½	121 4 ¾	48 1 7/8	17 2 1/8	20 2 5/8	17 2 1/8	83 3 3/8	44.5 1.75	48.4 1.906	18.3 .720	M14 ½	P206D1 P206T P206T P206T P206T	UEL206D1 UEL206-101D1 UEL206-102D1 UEL206-103D1 UEL206-104D1	4,400	2,540
35 1 1/4 1 5/16 1 3/8 1 7/16	UEL207D1 UEL207-104T UEL207-105T UEL207-106T UEL207-107T	47.6 1 7/8	167 6 5/16	127 5	48 1 7/8	17 2 1/8	20 2 5/8	18 2 3/8	93 3 2 1/8	55.6 2.19	51.1 2.012	18.8 .740	M14 ½	P207D1 P207T P207T P207T P207T	UEL207D1 UEL207-104D1 UEL207-105D1 UEL207-106D1 UEL207-107D1	5,750	3,440
40 1 1/2 1 9/16	UEL208D1 UEL208-108T UEL208-109T	49.2 1 15/16	184 7 ¼	137 5 1 3/8	54 2 ½	17 2 1/8	20 2 5/8	18 2 3/8	98 3 2 7/8	60.2 2.37	56.3 2.217	21.4 .843	M14 ½	P208D1 P208T P208T	UEL208D1 UEL208-108D1 UEL208-109D1	6,550	4,000
45 1 5/8 1 1 1/16 1 3/4	UEL209D1 UEL209-110T UEL209-111T UEL209-112T	54 2 1/8	190 7 1 5/8	146 5 ¾	54 2 ½	17 2 1/8	20 2 5/8	20 2 5/8	106 4 1 1/8	63.5 2.50	56.3 2.217	21.4 .843	M14 ½	P209D1 P209T P209T P209T	UEL209D1 UEL209-110D1 UEL209-111D1 UEL209-112D1	7,350	4,590
50 1 1 3/16 1 7/8 1 1 1/16 2	UEL210D1 UEL210-113T UEL210-114T UEL210-115T UEL210-200T	57.2 2 ¼	206 8 1/8	159 6 ¼	60 2 ¾	20 2 5/8	23 2 9/8	21 1 3/16	114 4 ½	69.9 2.75	62.7 2.469	24.6 .969	M16 5/8	P210D1 P210T P210T P210T P210T	UEL210D1 UEL210-113D1 UEL210-114D1 UEL210-115D1 UEL210-200D1	7,900	5,220
55 2 2 1/16 2 1/8 2 3/16	UEL211D1 UEL211-200T UEL211-201T UEL211-202T UEL211-203T	63.5 2 ½	219 8 5/8	171 6 2 3/8	60 2 ¾	20 2 5/8	23 2 9/8	23 2 9/8	126 4 3 1/8	76.2 3.00	71.4 2.811	27.8 1.094	M16 5/8	P211D1 P211T P211T P211T P211T	UEL211D1 UEL211-200D1 UEL211-201D1 UEL211-202D1 UEL211-203D1	9,750	6,570
60 2 1/4 2 3/8 2 7/16	UEL212D1 UEL212-204T UEL212-206T UEL212-207T	69.8 2 ¾	241 9 ½	184 7 ¼	70 2 ¾	20 2 5/8	23 2 9/8	25 3 1/8	138 5 7/16	84.1 3.31	77.8 3.063	31 1.220	M16 5/8	P212D1 P212T P212T P212T	UEL212D1 UEL212-204D1 UEL212-206D1 UEL212-207D1	11,800	8,100
65 2 1/2	UEL213D1 UEL213-208T	76.2 3	265 10 7/16	203 8	70 2 ¾	25 3 1/8	28 1 3/8	27 1 1/16	151 5 1 1/16	97.0 3.82	85.7 3.374	34.15 1.344	M20 ¾	P213D1 P213T	UEL213D1 UEL213-208D1	12,900	9,000
70 2 1 1/16 2 ¾	UEL214D1 UEL214-211T UEL214-212T	79.4 3 1/8	266 10 1 5/8	210 8 3/8	72 2 2 7/8	25 3 1/8	28 1 3/8	27 1 1/16	157 6 3/16	97.0 3.82	85.7 3.374	34.15 1.344	M20 ¾	P214D1 P214T P214T	UEL214D1 UEL214-211D1 UEL214-212D1	14,000	9,900
75 2 1 5/16 3	UEL215D1 UEL215-215T UEL215-300T	82.6 3 ¼	275 10 1 3/16	217 8 1 7/8	74 2 2 9/8	25 3 1/8	28 1 3/8	28 1 3/8	163 6 1 3/8	97.0 3.82	92 3.622	37.3 1.469	M20 ¾	P215D1 P215T P215T	UEL215D1 UEL215-215D1 UEL215-300D1	14,900	11,130

**NTN**  
**SERIES**  
**UELP3**  
**ECCENTRIC**  
**LOCKING**  
**COLLAR**  
**TYPE**

Units: **Millimeters**  
**INCHES**

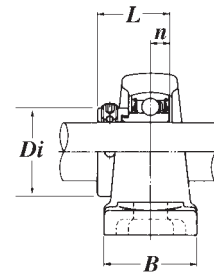
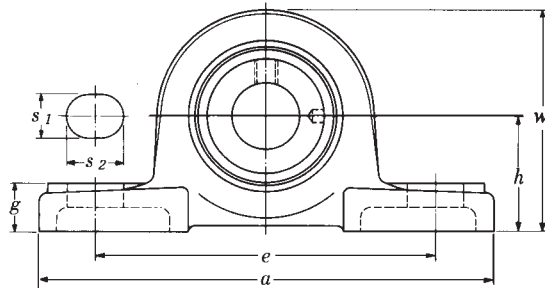


**PILLOW BLOCKS - CAST HOUSING**

Shaft Dia.	Complete Pillow Block Number	Nominal Dimensions											Bolt Size	Housing Number	Bearing Number	Basic Load Ratings (lbs)	
		<i>h</i>	<i>a</i>	<i>e</i>	<i>b</i>	<i>s<sub>1</sub></i>	<i>s<sub>2</sub></i>	<i>g</i>	<i>w</i>	<i>Di</i>	<i>L</i>	<i>n</i>				Dynamic <i>C</i>	Static <i>C<sub>0</sub></i>
25 7/8 1 1/16 1	UEL305D1 UEL305-014T UEL305-015T UEL305-100T	45 1 25/32	175 6 7/8	132 5 3/16	45 1 25/32	17 2 1/32	20 25/32	15 18/32	85 3 1 1/2	42.8 1.69	46.8 1.843	16.7 .657	M14 1/2	P305D1 P305T P305T P305T	UEL305D1 UEL305-014D1 UEL305-015D1 UEL305-100D1	4,750	2,460
30 1 1/8 1 3/16	UEL306D1 UEL306-102T UEL306-103T	50 1 3 1/2	180 7 3/32	140 5 1/2	50 1 3 1/2	17 2 1/32	20 25/32	18 23/32	95 3 3/4	50 1.97	50 1.969	17.5 .689	M14 1/2	P306D1 P306T P306T	UEL306D1 UEL306-102D1 UEL306-103D1	6,000	3,400
35 1 1/4 1 5/16 1 3/8 1 7/16	UEL307D1 UEL307-104T UEL307-105T UEL307-106T UEL307-107T	56 2 7/32	210 8 9/32	160 6 9/16	56 2 7/32	17 2 1/32	25 3 1/32	20 25/32	106 4 3/16	55 2.17	51.6 2.031	18.3 .720	M14 1/2	P307D1 P307T P307T P307T P307T	UEL307D1 UEL307-104D1 UEL307-105D1 UEL307-106D1 UEL307-107D1	7,500	4,300
40 1 1/2	UEL308D1 UEL308-108T	60 2 3/8	220 8 2 1/2	170 6 1 1/16	60 2 3/8	17 2 1/32	27 1 1/16	22 7/8	116 4 9/16	63.5 2.50	57.1 2.248	19.8 .780	M14 1/2	P308D1 P308T	UEL308D1 UEL308-108D1	9,150	5,400
45 1 5/8 1 1 1/16 1 3/4	UEL309D1 UEL309-110T UEL309-111T UEL309-112T	67 2 5/8	245 9 2 1/32	190 7 1 5/32	67 2 5/8	20 25/32	30 1 3/16	24 1 5/16	129 5 3/32	70 2.76	58.7 2.311	19.8 .780	M16 5/8	P309D1 P309T P309T P309T	UEL309D1 UEL309-110D1 UEL309-111D1 UEL309-112D1	11,900	7,200
50 1 7/8 1 15/16	UEL310D1 UEL310-114T UEL310-115T	75 2 1 1/16	275 10 1 3/16	212 8 1 1/32	75 2 15/16	20 25/32	35 1 3/8	27 1 1/16	143 5 5/8	76.2 3.00	66.6 2.622	24.6 .969	M16 5/8	P310D1 P310T P310T	UEL310D1 UEL310-114D1 UEL310-115D1	13,900	8,600
55 2 2 1/8 2 3/16	UEL311D1 UEL311-200T UEL311-202T UEL311-203T	80 3 3/32	310 12 7/32	236 9 9/32	80 3 3/32	20 25/32	38 1 1/2	30 1 3/16	154 6 1/16	83 3.27	73 2.874	27.8 1.094	M16 5/8	P311D1 P311T P311T P311T	UEL311D1 UEL311-200D1 UEL311-202D1 UEL311-203D1	16,100	10,100
60 2 1/4 2 3/8 2 7/16	UEL312D1 UEL312-204T UEL312-206T UEL312-207T	85 3 1 1/32	330 13	250 9 27/32	85 3 1 1/32	25 3 1/32	38 1 1/2	32 1 1/4	165 6 1/2	89 3.50	79.4 3.126	30.95 1.219	M20 3/4	P312D1 P312T P312T P312T	UEL312D1 UEL312-204D1 UEL312-206D1 UEL312-207D1	18,400	11,700
65 2 1/2	UEL313D1 UEL313-208T	90 3 1 7/32	340 13 3/8	260 10 1/4	90 3 17/32	25 3 1/32	38 1 1/2	33 1 5/16	176 6 15/16	97 3.82	85.7 3.374	32.55 1.281	M20 3/4	P313D1 P313T	UEL313D1 UEL313-208D1	20,800	13,400
70 2 1 1/16 2 3/4	UEL314D1 UEL314-211T UEL314-212T	95 3 3/4	360 14 3/16	280 11 1/32	90 3 17/32	27 1 1/16	40 1 9/16	35 1 3/8	187 7 3/8	102 4.00	92.1 3.626	34.15 1.344	M22 7/8	P314D1 P314T P314T	UEL314D1 UEL314-211D1 UEL314-212D1	23,400	15,300
75 2 15/16 3	UEL315D1 UEL315-215T UEL315-300T	100 3 1 5/16	380 14 3 1/32	290 11 1 3/32	100 3 15/16	27 1 1/16	40 1 9/16	35 1 3/8	198 7 25/32	113 4.45	100 3.937	37.3 1.469	M22 7/8	P315D1 P315T P315T	UEL315D1 UEL315-215D1 UEL315-300D1	25,500	17,400
80 3 1/8 3 3/16	UEL316D1 UEL316-302T UEL316-303T	106 4 3/16	400 15 3/4	300 11 1 3/16	110 4 1 1/32	27 1 1/16	40 1 9/16	40 1 9/16	210 8 9/32	119 4.69	106.4 4.189	40.5 1.594	M22 7/8	P316D1 P316T P316T	UEL316D1 UEL316-302D1 UEL316-303D1	27,600	19,500
85 3 1/4	UEL317D1 UEL317-304T	112 4 1 3/32	420 16 17/32	320 12 1 9/32	110 4 1 1/32	33 1 5/16	45 1 25/32	40 1 9/16	220 8 2 1/32	127 5.00	109.5 4.311	42.05 1.656	M27 1	P317D1 P317T	UEL317D1 UEL317-304D1	29,800	21,800
90 3 7/16 3 1/2	UEL318D1 UEL318-307T UEL318-308T	118 4 2 1/32	430 16 1 1/16	330 13	110 4 1 1/32	33 1 9/16	45 1 25/32	45 1 25/32	235 9 1/4	133 5.24	115.9 4.563	43.65 1.719	M27 1	P318D1 P318T P318T	UEL318D1 UEL318-307D1 UEL318-308D1	32,000	24,100
95 3 3/4	UEL319D1 UEL319-312T	125 4 29/32	470 18 1/2	360 14 3/16	120 4 2 3/32	36 1 1 3/32	50 1 3 1/32	45 1 25/32	250 9 27/32	140 5.50	122.3 4.815	38.9 1.531	M30 1 1/8	P319D1 P319T	UEL319D1 UEL319-312D1	34,500	26,600
100 3 15/16 4	UEL320D1 UEL320-315T UEL320-400T	140 5 1/2	490 19 9/32	380 14 3 1/32	120 4 2 3/32	36 1 1 3/32	50 1 3 1/32	50 1 3 1/32	275 10 1 1/16	146 5.75	128.6 5.063	50 1.969	M30 1 1/8	P320D1 P320T P320T	UEL320D1 UEL320-315D1 UEL320-400D1	39,000	31,500
105	UEL321D1	140	490	380	120	36	50	50	280	157	139.7	48.4	M30	P321D1	UEL321D1	41,500	34,500
110	UEL322D1	150	520	400	140	40	55	55	300	168	141.3	49.2	M33	P322D1	UEL322D1	46,000	40,500

**NTN**  
**SERIES**  
**AELPL2**  
**ECCENTRIC**  
**LOCKING**  
**COLLAR**  
**TYPE**

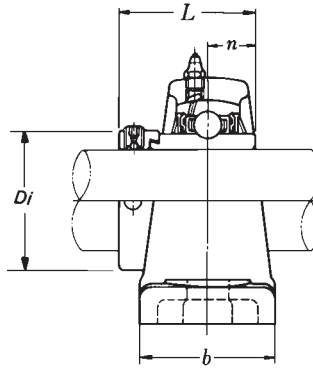
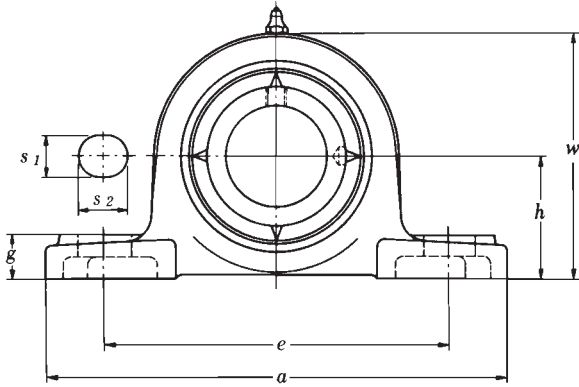
Units: **Millimeters**  
**INCHES**



**PILLOW BLOCKS - CAST HOUSING (LOW CENTER HEIGHT)**

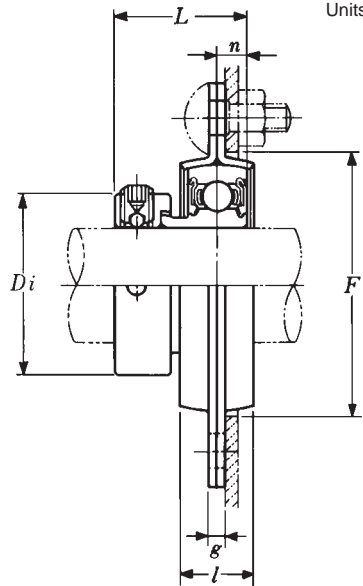
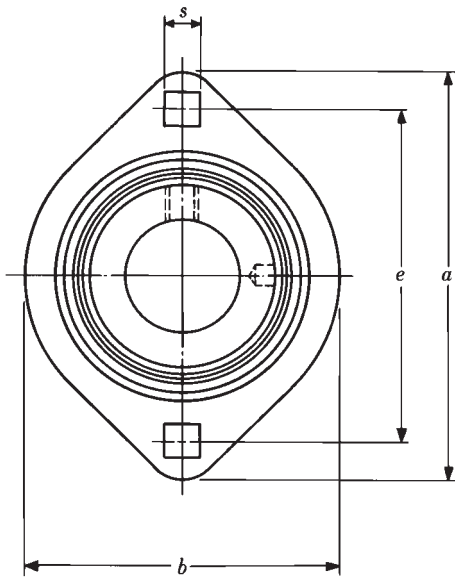
Shaft Dia.	Complete Pillow Block Number	Nominal Dimensions											Bolt Size	Housing Number	Bearing Number	Basic Load Ratings (lbs)	
		<i>h</i>	<i>a</i>	<i>e</i>	<i>b</i>	<i>s</i> <sub>1</sub>	<i>s</i> <sub>2</sub>	<i>g</i>	<i>w</i>	<i>D</i> <sub>i</sub>	<i>L</i>	<i>n</i>				<i>C</i> <sub>Dynamic</sub>	<i>C</i> <sub>Static</sub>
12 ½	AELPL201 AELPL201-008	26.99 1 ⅙	121 4 ¾	89 3 ½	35 1 ⅜	11 7/16	14 9/16	13 ½	54 2 ½	29 1.14	28.6 1.126	6.5 .256	M10 ¾	PL201 PL201	AEL201 AEL201-008	2,160	1,040
15 ⅝	AELPL202 AELPL202-009 AELPL202-010	26.99 1 ⅙	121 4 ¾	89 3 ½	35 1 ⅜	11 7/16	14 9/16	13 ½	54 2 ½	29 1.14	28.6 1.126	6.5 .256	M10 ¾	PL201 PL201 PL201	AEL202 AEL202-009 AEL202-010	2,160	1,040
17 1 ⅙	AELPL203 AELPL203-011	26.99 1 ⅙	121 4 ¾	89 3 ½	35 1 ⅜	11 7/16	14 9/16	13 ½	54 2 ½	29 1.14	28.6 1.126	6.5 .256	M10 ¾	PL201 PL201	AEL203 AEL203-011	2,160	1,040
20 ¾	AELPL204 AELPL204-012	31.75 1 ¼	127 5	95 3 ¾	38 1 ½	13 ½	16 ⅝	14 ⅞	64 2 17/32	33.3 1.31	31 1.220	7.5 .295	M10 ¾	PL204 PL204	AEL204 AEL204-012	2,890	1,500
25 1 3/16 7/8 1 5/16 1	AELPL205 AELPL205-013 AELPL205-014 AELPL205-015 AELPL205-100	33.34 1 5/16	140 5 ½	105 4 ⅞	38 1 ½	13 ½	16 ⅝	15 1 1/32	68 2 1 1/16	38.1 1.50	31 1.220	7.5 .295	M10 ¾	PL205 PL205 PL205 PL205 PL205	AEL205 AEL205-013 AEL205-014 AEL205-015 AEL205-100	3,150	1,770
30 1 1/16 1 1/8 1 3/16 1 ¼	AELPL206 AELPL206-101 AELPL206-102 AELPL206-103 AELPL206-104	39.69 1 5/16	165 6 ½	121 4 ¾	48 1 7/8	17 2 1/32	20 2 5/32	17 2 1/32	80 3 5/32	44.5 1.75	35.7 1.406	9 .354	M14 ½	PL206 PL206 PL206 PL206 PL206	AEL206 AEL206-101 AEL206-102 AEL206-103 AEL206-104	4,400	2,540
35 1 ¼ 1 5/16 1 3/8 1 7/16	AELPL207 AELPL207-104 AELPL207-105 AELPL207-106 AELPL207-107	46.04 1 13/16	167 6 9/16	127 5	48 1 7/8	17 2 1/32	20 2 5/32	18 2 3/32	91 3 19/32	55.6 2.19	38.9 1.531	9.5 .374	M14 ½	PL207 PL207 PL207 PL207 PL207	AEL207 AEL207-104 AEL207-105 AEL207-106 AEL207-107	5,750	3,440

Units: Millimeters  
INCHES



### PILLOW BLOCKS - CAST HOUSING (LOW CENTER HEIGHT)

Shaft Dia.	Complete Pillow Block Number	Nominal Dimensions											Bolt Size	Housing Number	Bearing Number	Basic Load Ratings (lbs)	
		<i>h</i>	<i>a</i>	<i>e</i>	<i>b</i>	<i>s</i> <sub>1</sub>	<i>s</i> <sub>2</sub>	<i>g</i>	<i>w</i>	<i>Di</i>	<i>L</i>	<i>n</i>				<i>C</i> <sub>Dynamic</sub>	<i>C</i> <sub>Static</sub>
20 ¾	UELPL204D1 UELPL204-012T	31.75 1 ¼	127 5	95 3 ¾	38 1 ½	13 ½	16 ⅝	14 ⅞	64 2 17/32	33.3 1.31	43.7 1.920	17.1 .673	M10 ⅝	PL204D1 PL204T	UEL204D1 UEL204-012D1	2,890	1,500
25 1 3/16 7/8 1 5/16 1	UELPL205D1 UELPL205-013T UELPL205-014T UELPL205-015T UELPL205-100T	33.34 1 5/16	140 5 ½	105 4 1/8	38 1 ½	13 ½	16 ⅝	15 19/32	68 2 1 1/16	38.1 1.50	44.4 1.748	17.5 .689	M10 ⅝	PL205D1 PL205T PL205T PL205T PL205T	UEL205D1 UEL205-013D1 UEL205-014D1 UEL205-015D1 UEL205-100D1	3,150	1,770
30 1 1/16 1 1/8 1 3/16 1 1/4	UELPL206D1 UELPL206-101T UELPL206-102T UELPL206-103T UELPL206-104T	39.69 1 9/16	165 6 ½	121 4 ¾	48 1 7/8	17 21/32	20 25/32	17 21/32	80 3 5/8	44.5 1.75	48.4 1.906	18.3 .720	M14 ½	PL206D1 PL206T PL206T PL206T PL206T	UEL206D1 UEL206-101D1 UEL206-102D1 UEL206-103D1 UEL206-104D1	4,400	2,540
35 1 1/4 1 5/16 1 3/8 1 7/16	UELPL207D1 UELPL207-104T UELPL207-105T UELPL207-106T UELPL207-107T	46.04 1 13/16	167 6 9/16	127 5	48 1 7/8	17 21/32	20 25/32	18 23/32	91 3 1 1/2	55.6 2.19	51.1 2.012	18.8 .740	M14 ½	PL207D1 PL207T PL207T PL207T PL207T	UEL207D1 UEL207-104D1 UEL207-105D1 UEL207-106D1 UEL207-107D1	5,750	3,440
45 1 5/8 1 11/16 1 3/4	UELPL209D1 UELPL209-110T UELPL209-111T UELPL209-112T	52.39 2 1/16	190 7 15/32	146 5 ¾	54 2 1/8	17 21/32	20 25/32	20 25/32	104 4 3/8	63.5 2.50	56.3 2.217	21.4 .843	M14 ½	PL209D1 PL209T PL209T PL209T	UEL209D1 UEL209-110D1 UEL209-111D1 UEL209-112D1	7,350	4,590
50 1 13/16 1 7/8 1 15/16 2	UELPL210D1 UELPL210-113T UELPL210-114T UELPL210-115T UELPL210-200T	55.56 2 3/16	206 8 1/8	159 6 1/4	60 2 3/8	20 25/32	23 29/32	21 13/16	112 4 1 3/8	69.9 2.75	62.7 2.469	24.6 .969	M16 5/8	PL210D1 PL210T PL210T PL210T PL210T	UEL210D1 UEL210-113D1 UEL210-114D1 UEL210-115D1 UEL210-200D1	7,900	5,220



Units: **Millimeters**  
**INCHES**



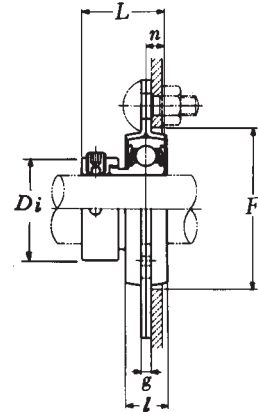
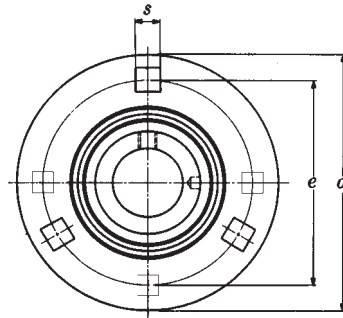
### FLANGED UNITS - PRESSED STEEL HOUSING (TWO BOLT)

Shaft Dia.	Complete Flanged Unit Number	Nominal Dimensions										Bolt Size	Housing Number	Bearing Number	Basic Load Ratings (lbs)		Max. Radial Load <sup>①</sup> (lbs)
		a	e	g	s	l	b	Di	L	n	(min) F				Dynamic C	Static Co	
12	AELPFL201	81	63	4	7	14	59	29	28.6	6.5	49	M6	PFL203	AEL201	2,160	1,040	600
1/2	AELPFL201-008	3 3/16	2 15/32	.157	7/32	9/16	2 5/16	1.14	1.126	.256	1 15/16	1/4	PFL203	AEL201-088			
15	AELPFL202	81	63	4	7	14	59	29	28.6	6.5	49	M6	PFL203	AEL202	2,160	1,040	600
9/16	AELPFL202-009	3 3/16	2 15/32	.157	7/32	9/16	2 5/16	1.14	1.126	.256	1 15/16	1/4	PFL203	AEL202-009			
5/8	AELPFL202-010												PFL203	AEL202-010			
17	AELPFL203	81	63	4	7	14	59	29	28.6	6.5	49	M6	PFL203	AEL203	2,160	1,040	600
1 1/16	AELPFL203-011	3 3/16	2 15/32	.157	7/32	9/16	2 5/16	1.14	1.126	.256	1 15/16	1/4	PFL203	AEL203-011			
20	AELPFL204	90	71	4	9	16	67	33.3	31	7.5	56	M8	PFL204	AEL204	2,890	1,500	660
3/4	AELPFL204-012	3 17/32	2 25/32	.157	23/64	5/8	2 5/8	1.31	1.220	.295	2 7/32	5/16	PFL204	AEL204-012			
25	AELPFL205	95	76	4	9	18	71	38.1	31	7.5	60	M8	PFL205	AEL205	3,150	1,770	880
1 3/16	AELPFL205-013	3 3/4	3	.157	23/64	2 3/32	2 25/32	1.50	1.220	.295	2 3/8	5/16	PFL205	AEL205-013			
7/8	AELPFL205-014												PFL205	AEL205-014			
15/16	AELPFL205-015												PFL205	AEL205-015			
1	AELPFL205-100												PFL205	AEL205-100			
30	AELPFL206	113	90	5.2	11	18	84	44.5	35.7	9	71	M10	PFL206	AEL206	4,400	2,540	1,100
1 1/16	AELPFL206-101	4 7/16	3 17/32	.205	7/16	23/32	3 5/16	1.75	1.406	.354	2 25/32	3/8	PFL206	AEL206-101			
1 1/8	AELPFL206-102												PFL206	AEL206-102			
1 3/16	AELPFL206-103												PFL206	AEL206-103			
1 1/4	AELPFL206-104												PFL206	AEL206-104			
35	AELPFL207	122	100	5.2	11	20	94	55.6	38.9	9.5	81	M10	PFL207	AEL207	5,750	3,440	1,300
1 1/4	AELPFL207-104	4 13/16	3 15/16	.205	7/16	25/32	3 11/16	2.19	1.531	.374	3 3/16	3/8	PFL207	AEL207-104			
1 5/16	AELPFL207-105												PFL207	AEL207-105			
1 3/8	AELPFL207-106												PFL207	AEL207-106			
1 7/16	AELPFL207-107												PFL207	AEL207-107			

① Axial load should be less than 1/3 of radial load.

**NTN**  
**SERIES**  
**AELPF2**  
**ECCENTRIC**  
**LOCKING**  
**COLLAR**  
**TYPE**

Units: **Millimeters**  
**INCHES**



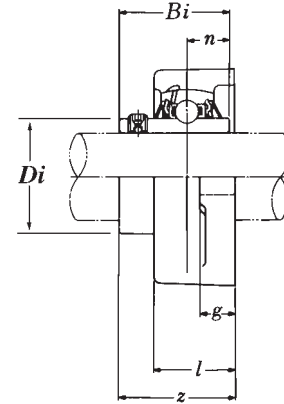
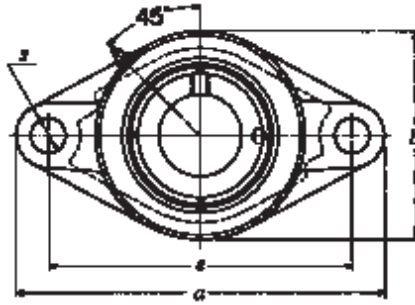
**FLANGED UNITS - PRESSED STEEL HOUSING (THREE BOLT)**

Shaft Dia.	Complete Flanged Unit Number	Nominal Dimensions								Bolt Size	Housing Number	Bearing Number	Basic Load Ratings (lbs)		Max. Radial Load <sup>1</sup> (lbs)
		a	e	g	s	l	Bi	n	(min) F				Dynamic C	Static Co	
12 ½	AELPF201 AELPF201-008	81 3 ¾	63 2 ½	4 .157	7 ⅞	14 ⅞	29 1.14	6.5 .256	49 1 ⅞	M6 ¼	PF203	AEL201 AEL201-008	2160	1040	600
15 ⅝	AELPF202 AELPF202-009 AELPF202-010	81 3 ¾	63 2 ½	4 .157	7 ⅞	14 ⅞	29 1.14	6.5 .256	49 1 ⅞	M6 ¼	PF203 PF203 PF203	AEL202 AEL202-009 AEL202-010	2160	1040	600
17 1 ⅛	AELPF203 AELPF203-011	81 3 ¾	63 2 ½	4 .157	7 ⅞	14 ⅞	29 1.14	6.5 .256	49 1 ⅞	M6 ¼	PF203	AEL203 AEL203-011	2160	1040	600
20 ¾	AELPF204 AELPF204-012	90 3 1 ⅜	71 2 ⅝	4 .157	9 ⅞	16 ⅝	33.3 1.31	7.5 .295	56 2 ⅞	M8 ⅝	PF204	AEL204 AEL204-012	2890	1500	660
25 1 ⅜ ⅞ 1 ⅝ 1	AELPF205 AELPF205-013 AELPF205-014 AELPF205-015 AELPF205-100	95 3 ¾	76 3	4 .157	9 ⅞	18 ⅞	38.1 1.50	7.5 .295	60 2 ⅜	M8 ⅝	PF205 PF205 PF205 PF205	AEL205 AEL205-013 AEL205-014 AEL205-015 AEL205-100	3150	1770	880
30 1 ⅞ 1 ⅝ 1 ¾ ¼	AELPF206 AELPF206-101 AELPF206-102 AELPF206-103 AELPF206-104	113 4 ⅞	90 3 1 ⅜	5.2 .205	11 ⅞	18 ⅞	44.5 1.75	9 .354	71 2 ⅝	M10 ⅝	PF206 PF206 PF206 PF206	AEL206 AEL206-101 AEL206-102 AEL206-103 AEL206-104	4400	2540	1100
35 1 ¾ 1 ⅝ 1 ⅜ 1 ⅞	AELPF207 AELPF207-104 AELPF207-105 AELPF207-106 AELPF207-107	122 4 1 ⅜	100 3 1 ⅝	5.2 .205	11 ⅞	20 ⅞	55.6 2.19	9.5 .374	81 3 ⅜	M10 ⅝	PF207 PF207 PF207 PF207	AEL207 AEL207-104 AEL207-105 AEL207-106 AEL207-107	5750	3440	1300
40 1 ½ 1 ⅞	AELPF208 AELPF208-108 AELPF208-109	148 5 1 ⅜	119 4 1 ⅞	6.8 .268	★ 14 ⅞	21 1 ⅜	60 2.36	11 .433	91 3 ⅞	M12 ½	PF208 PF208 PF208	AEL208 AEL208-108 AEL208-109	6550	4000	1500

<sup>1</sup> Axial load should be less than 1/3 of radial load.  
 \* Unit with notched set screw as standard.  
 ★ AELPF208 has four bolt holes.

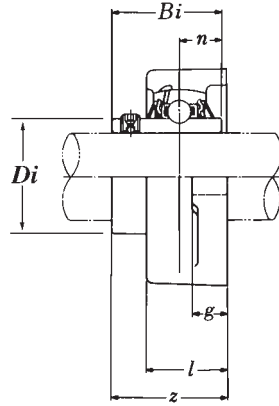
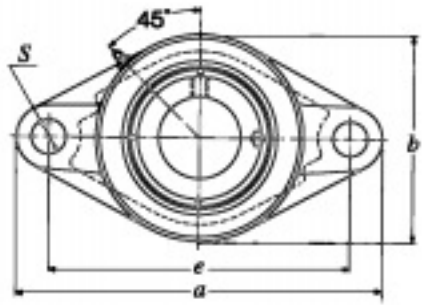
**NTN**  
**SERIES**  
**UEFL2**  
**ECCENTRIC**  
**LOCKING**  
**COLLAR**  
**TYPE**

Units: **Millimeters**  
**INCHES**



**FLANGED UNITS - CAST HOUSING (TWO BOLT)**

Shaft Dia.	Complete Flanged Unit Number	Nominal Dimensions									Bolt Size	Housing Number	Bearing Number	Basic Load Ratings (lbs)	
		a	e	g	l	s	z	Bi	Di	n				Dynamic C	Static Co
20 3/4	UEFL204D1 UEFL204-012T	113 4 7/16	90 3 17/32	11 7/16	25.5 1	12 25/64	41.6 1 41/64	43.7 1.720	33 1.299	17.1 .673	M10 5/16	FL204D1 FL204T	UEL204D1 UEL204-012D1	2,890	1,500
25 1 13/16 7/8 1 1/16 1	UEFL205D1 UEFL205-013T UEFL205-014T UEFL205-015T UEFL205-100T	130 5 1/8	99 3 29/32	13 1/2	27 1 1/16	16 15/32	42.9 1 11/16	44.4 1.748	38 1.496	17.5 .689	M14 3/8	FL205D1 FL205T FL205T FL205T FL205T	UEL205D1 UEL205-013D1 UEL205-014D1 UEL205-015D1 UEL205-100D1	3,150	1,770
30 1 1/16 1 1/8 1 3/16 1 1/4	UEFL206D1 UEFL206-101T UEFL206-102T UEFL206-103T UEFL206-104T	148 5 13/16	117 4 19/32	13 1/2	31 1 7/32	16 29/64	48.1 1 57/64	48.4 1.906	44.5 1.752	18.3 .720	M14 3/8	FL206D1 FL206T FL206T FL206T FL206T	UEL206D1 UEL206-101D1 UEL206-102D1 UEL206-103D1 UEL206-104D1	4,400	2,540
35 1 1/4 1 5/16 1 3/8 1 7/16	UEFL207D1 UEFL207-104T UEFL207-105T UEFL207-106T UEFL207-107T	161 6 1/8	130 5 3/8	15 19/32	34 1 1/32	16 29/64	51.3 2 1/64	51.1 2.012	55.5 2.185	18.8 .740	M14 7/16	FL207D1 FL207T FL207T FL207T FL207T	UEL207D1 UEL207-104D1 UEL207-105D1 UEL207-106D1 UEL207-107D1	5,750	3,440
40 1 1/2 1 9/16	UEFL208D1 UEFL208-108T UEFL208-109T	175 6 7/8	144 5 21/32	15 19/32	36 1 13/32	16 33/64	55.9 2 13/64	56.3 2.217	60 2.362	21.4 .843	M14 7/16	FL207D1 FL208T FL208T	UEL208D1 UEL208-108D1 UEL208-109D1	6,550	4,000
45 1 5/8 1 11/16 1 3/4	UEFL209D1 UEFL209-110T UEFL209-111T UEFL209-112T	188 7 13/32	148 5 13/16	16 9/8	38 1 1/2	19 37/64	56.9 2 15/64	56.3 2.217	63.5 2.500	21.4 .843	M16 1/2	FL209D1 FL209T FL209T FL209T	UEL209D1 UEL209-110D1 UEL209-111D1 UEL209-112D1	7,350	4,590
50 1 13/16 1 7/8 1 9/16 2	UEFL210D1 UEFL210-113T UEFL210-114T UEFL210-115T UEFL210-200T	197 7 3/4	157 6 3/16	16 5/8	40 1 9/16	19 37/64	60.1 2 23/64	62.7 2.469	69.5 2.736	24.6 .969	M16 1/2	FL210D1 FL210T FL210T FL210T FL210T	UEL210D1 UEL210-113D1 UEL210-114D1 UEL210-115D1 UEL210-200D1	7,900	5,220
55 2 2 1/16 2 1/8 2 3/16	UEFL211D1 UEFL211-200T UEFL211-201T UEFL211-202T UEFL211-203T	224 8 13/16	184 7 1/4	18 23/32	43 1 11/16	19 21/32	68.6 2 45/64	71.4 2.811	76 2.992	27.8 1.094	M16 9/16	FL211D1 FL211T FL211T FL211T FL211T	UEL211D1 UEL211-200D1 UEL211-201D1 UEL211-202D1 UEL211-203D1	9,750	6,570
60 2 1/4 2 3/8 2 7/16	UEFL212D1 UEFL212-204T UEFL212-206T UEFL212-207T	250 9 27/32	202 7 15/16	18 23/32	48 1 7/8	23 29/32	75.8 2 63/64	77.8 3.063	84 3.307	31 1.220	M20 3/4	FL212D1 FL212T FL212T FL212T	UEL212D1 UEL212-204D1 UEL212-206D1 UEL212-207D1	11,800	8,100
65 2 1/2	UEFL213D1 UEFL213-208T	258 10 5/32	210 8 9/32	22 7/8	50 1 31/32	23 29/32	81.55 3 13/64	85.7 3.374	97 3.819	34.15 1.344	M20 3/4	FL213D1 FL213T	UEL213D1 UEL213-208D1	12,900	9,000
70 2 11/16 2 3/4	UEFL214D1 UEFL214-211T UEFL214-212T	265 10 7/16	216 8 1/2	22 7/8	54 2 1/8	23 29/32	82.55 3 1/4	85.7 3.374	97 3.819	34.15 1.344	M20 3/4	FL214D1 FL214T FL214T	UEL214D1 UEL214-211D1 UEL214-212D1	14,000	9,900
75 2 15/16 3	UEFL215D1 UEFL215-215T UEFL215-300T	275 10 13/16	225 8 27/32	22 7/8	56 2 1/32	23 29/32	88.7 3 31/64	92 3.622	102 4.016	37.3 1.469	M20 3/4	FL215D1 FL215T FL215T	UEL215D1 UEL215-215D1 UEL215-300D1	14,900	11,130



Units: **Millimeters**  
**INCHES**

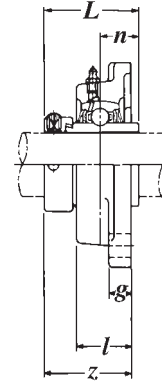
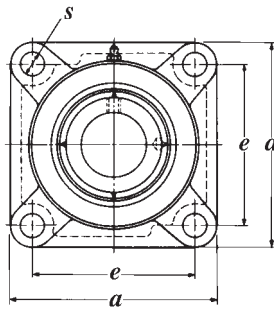


### FLANGED UNITS - CAST HOUSING (TWO BOLT)

Shaft Dia.	Complete Flanged Unit Number	Nominal Dimensions									Bolt Size	Housing Number	Bearing Number	Basic Load Ratings (lbs)	
		a	e	g	l	s	z	Bi	Di	n				Dynamic C	Static Co
25 7/8 1 1/16 1	UELFL305D1 UELFL305-014T UELFL305-015T UELFL305-100T	150 5 29/32	113 4 7/16	13 1/2	29 1 5/32	19 3/4	46.1 1 13/16	46.8 1.843	42.8 1.685	16.7 .657	M16 5/8	FL305D1 FL305T FL305T FL305T	UEL305D1 UEL305-014D1 UEL305-015D1 UEL305-100D1	4,750	2,460
30 1 1/8 1 3/16	UELFL306D1 UELFL306-102T UELFL306-103T	180 7 3/32	134 5 9/32	15 19/32	32 1 1/4	23 29/32	50.5 1 63/64	50 1.969	50 1.969	17.5 .689	M20 3/4	FL306D1 FL306T FL306T	UEL306D1 UEL306-102D1 UEL306-103D1	6,000	3,400
35 1 1/4 1 5/16 1 3/8 1 7/16	UELFL307D1 UELFL307-104T UELFL307-105T UELFL307-106T UELFL307-107T	185 7 9/32	141 5 9/16	16 5/8	36 1 13/32	23 29/32	53.3 2 3/32	51.6 2.031	55 2.165	18.3 .720	M20 3/4	FL307D1 FL307T FL307T FL307T FL307T	UEL307D1 UEL307-104D1 UEL307-105D1 UEL307-106D1 UEL307-107D1	7,500	4,300
40 1 1/2	UELFL308D1 UELFL308-108T	200 7 7/8	158 6 7/32	17 2 1/32	40 1 9/16	23 29/32	60.3 3 3/8	57.1 2.248	63.5 2.500	19.8 .780	M20 3/4	FL308D1 FL308T	UEL308D1 UEL308-108D1	9,150	5,400
45 1 5/8 1 11/16 1 3/4	UELFL309D1 UELFL309-110T UELFL309-111T UELFL309-112T	230 9 1/16	177 6 31/32	18 23/32	44 1 23/32	25 63/64	63.9 2 33/64	58.7 2.311	70 2.756	19.8 .780	M22 7/8	FL309D1 FL309T FL309T FL309T	UEL309D1 UEL309-110D1 UEL309-111D1 UEL309-112D1	11,900	7,200
50 1 7/8 1 15/16	UELFL310D1 UELFL310-114T UELFL310-115T	240 9 7/16	187 7 3/8	19 3/4	48 1 7/8	25 63/64	70 2 3/4	66.6 2.622	76.2 3.000	24.6 .969	M22 7/8	FL310D1 FL310T FL310T	UEL310D1 UEL310-114D1 UEL310-115D1	13,900	8,600
55 2 2 1/8 2 3/16	UELFL311D1 UELFL311-200T UELFL311-202T UELFL311-203T	250 9 27/32	198 7 29/32	20 29/32	52 2 1/16	25 63/64	75.2 2 61/64	73 2.874	83 3.268	27.8 1.094	M22 7/8	FL311D1 FL311T FL311T FL311T	UEL311D1 UEL311-200D1 UEL311-202D1 UEL311-203D1	16,100	10,100
60 2 1/4 2 3/8 2 7/16	UELFL312D1 UELFL312-204T UELFL312-206T UELFL312-207T	270 10 5/8	212 8 11/32	22 7/8	56 2 7/32	31 1 7/32	81.45 3 13/64	79.4 3.126	89 3.504	30.95 1.219	M27 1	FL312D1 FL312T FL312T FL312T	UEL312D1 UEL312-204D1 UEL312-206D1 UEL312-207D1	18,400	11,700
65 2 1/2	UELFL313D1 UELFL313-208T	295 11 5/8	240 9 7/16	25 3 1/32	58 2 9/32	31 1 7/32	86.15 3 25/64	85.7 3.374	97 3.819	32.55 1.281	M27 1	FL313D1 FL313T	UEL313D1 UEL313-208D1	20,800	13,400
70 2 11/16 2 3/4	UELFL314D1 UELFL314-211T UELFL314-212T	315 12 13/32	250 9 27/32	28 1 3/32	61 2 13/32	35 1 3/8	93.95 3 45/64	92.1 3.626	102 4.016	34.15 1.344	M30 1 1/8	FL314D1 FL314T FL314T	UEL314D1 UEL314-211D1 UEL314-212D1	23,400	15,300
75 2 15/16 3	UELFL315D1 UELFL315-215T UELFL315-300T	320 12 19/32	260 10 1/4	30 1 3/16	66 2 19/32	35 1 3/8	101.7 4	100 3.937	113 4.449	37.3 1.469	M30 1 1/8	FL315D1 FL315T FL315T	UEL315D1 UEL315-215D1 UEL315-300D1	25,500	17,400
80 3 1/8 3 3/16	UELFL316D1 UELFL316-302T UELFL316-303T	355 13 31/32	285 11 7/32	32 1 1/4	68 2 11/16	38 1 1/2	103.9 4 3/32	106.4 4.189	119 4.685	40.5 1.594	M33 1 1/4	FL316D1 FL316T FL316T	UEL316D1 UEL316-302D1 UEL316-303D1	27,600	19,500
85 3 1/4	UELFL317D1 UELFL317-304T	370 14 9/16	300 11 13/16	32 1 1/4	74 2 29/32	38 1 1/2	111.45 4 25/64	109.5 4.311	127 5.000	42.05 1.656	M33 1 1/4	FL317D1 FL317T	UEL317D1 UEL317-304D1	29,800	21,800
90 3 7/16 3 1/2	UELFL318D1 UELFL318-307T UELFL318-308T	385 15 5/32	315 12 13/32	36 1 13/32	76 3	38 1 1/2	116.25 4 37/64	115.9 4.563	133 5.236	43.65 1.719	M33 1 1/4	FL318D1 FL318T FL318T	UEL318D1 UEL318-307D1 UEL318-308D1	32,000	24,100
95 3 3/4	UELFL319D1 UELFL319-312T	405 15 15/16	330 13	40 1 9/16	94 3 11/16	41 1 39/64	142.4 5 39/64	122.3 4.815	140 5.512	38.9 1.531	M36 1 3/8	FL319D1 FL319T	UEL319D1 UEL319-312D1	34,500	26,600
100 3 15/16 4	UELFL320D1 UELFL320-315T UELFL320-400T	440 17 5/16	360 14 3/16	40 1 9/16	94 3 11/16	44 1 47/64	137.6 5 27/64	128.6 5.063	146 5.748	50 1.969	M39 1 1/2	FL320D1 FL320T FL320T	UEL320D1 UEL320-315D1 UEL320-400D1	39,000	31,500
105	UELFL321D1	440	360	40	94	44	150.3	139.7	157	48.4	M39	FL321D1	UEL321D1	41,500	34,500
110	UELFL322D1	470	390	42	96	44	152.1	141.3	168	49.2	M39	FL322D1	UEL322D1	46,000	40,500

**NTN**  
**SERIES**  
**UELF2**  
**ECCENTRIC**  
**LOCKING**  
**COLLAR**  
**TYPE**

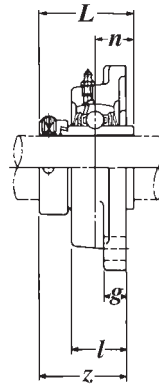
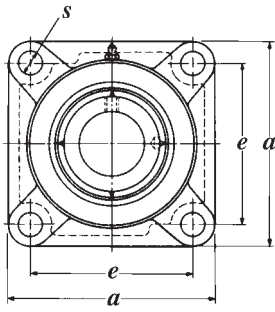
Units: **Millimeters**  
**INCHES**



**FLANGED UNITS - CAST HOUSING (FOUR BOLT)**

Shaft Dia.	Complete Flanged Unit Number	Nominal Dimensions									Bolt Size	Housing Number	Bearing Number	Basic Load Ratings (lbs)	
		a	e	g	l	s	z	L	Di	n				Dynamic C	Static Co
20 3/4	UELF204D1 UELF204-012T	86 3 3/8	64 2 17/32	11 7/16	25.5 1	12 15/32	41.6 1 41/64	43.7 1.720	33 1.299	17.1 .673	M10 5/16	F204D1 F204T	UEL204D1 UEL204-012D1	2,890	1,500
25 1 13/16 7/8 15/16 1	UELF205D1 UELF205-013T UELF205-014T UELF205-015T UELF205-100T	95 3 3/4	70 2 3/4	13 1/2	27 1 1/16	12 15/32	42.9 1 11/16	44.4 1.748	38 1.496	17.5 .689	M10 3/8	F205D1 F205T F205T F205T F205T	UEL205D1 UEL205-013D1 UEL205-014D1 UEL205-015D1 UEL205-100D1	3,150	1,770
30 1 1/16 1 1/8 1 3/16 1 1/4	UELF206D1 UELF206-101T UELF206-102T UELF206-103T UELF206-104T	108 4 1/4	83 3 3/32	13 1/2	31 1 7/32	12 15/32	48.1 1 57/64	48.4 1.906	44.5 1.752	18.3 .720	M10 3/8	F206D1 F206T F206T F206T F206T	UEL206D1 UEL206-101D1 UEL206-102D1 UEL206-103D1 UEL206-104D1	4,400	2,540
35 1 1/4 1 5/16 1 3/8 1 7/16	UELF207D1 UELF207-104T UELF207-105T UELF207-106T UELF207-107T	117 4 13/32	92 5 3/8	15 19/32	34 1 11/32	14 35/64	51.3 2 1/64	51.1 2.012	55.5 2.185	18.8 .740	M12 7/16	F207D1 F207T F207T F207T F207T	UEL207D1 UEL207-104D1 UEL207-105D1 UEL207-106D1 UEL207-107D1	5,750	3,440
40 1 1/2 1 9/16	UELF208D1 UELF208-108T UELF208-109T	130 5 1/8	102 4 1/2	15 19/32	36 1 13/32	16 5/8	55.9 2 13/64	56.3 2.217	60 2.362	21.4 .843	M14 1/2	F207D1 F208T F208T	UEL208D1 UEL208-108D1 UEL208-109D1	6,550	4,000
45 1 5/8 1 11/16 1 3/4	UELF209D1 UELF209-110T UELF209-111T UELF209-112T	137 5 13/32	105 4 1/8	16 5/8	38 1 1/2	16 5/8	56.9 2 15/64	56.3 2.217	63.5 2.500	21.4 .843	M14 1/2	F209D1 F209T F209T F209T	UEL209D1 UEL209-110D1 UEL209-111D1 UEL209-112D1	7,350	4,590
50 1 13/16 1 7/8 15/16 2	UELF210D1 UELF210-113T UELF210-114T UELF210-115T UELF210-200T	143 5 5/8	111 4 3/8	16 5/8	40 1 9/16	16 5/8	60.1 2 23/64	62.7 2.469	69.5 2.736	24.6 .969	M14 1/2	F210D1 F210T F210T F210T F210T	UEL210D1 UEL210-113D1 UEL210-114D1 UEL210-115D1 UEL210-200D1	7,900	5,220
55 2 2 1/16 2 1/8 2 3/16	UELF211D1 UELF211-200T UELF211-201T UELF211-202T UELF211-203T	162 6 3/8	130 5 1/8	18 23/32	43 1 11/16	19 3/4	68.6 2 45/64	71.4 2.811	76 2.992	27.8 1.094	M16 5/16	F211D1 F211T F211T F211T F211T	UEL211D1 UEL211-200D1 UEL211-201D1 UEL211-202D1 UEL211-203D1	9,750	6,570
60 2 1/4 2 3/8 2 7/16	UELF212D1 UELF212-204T UELF212-206T UELF212-207T	175 6 7/8	143 5 5/8	18 23/32	48 1 7/8	19 3/4	75.8 2 63/64	77.8 3.063	84 3.307	31 1.220	M16 5/16	F212D1 F212T F212T F212T	UEL212D1 UEL212-204D1 UEL212-206D1 UEL212-207D1	11,800	8,100
65 2 1/2	UELF213D1 UELF213-208T	187 7 3/8	149 5 7/8	22 7/8	50 1 31/32	19 3/4	81.55 3 13/64	85.7 3.374	97 3.819	34.15 1.344	M16 5/16	F213D1 F213T	UEL213D1 UEL213-208D1	12,900	9,000
70 2 11/16 2 3/4	UELF214D1 UELF214-211T UELF214-212T	193 7 19/32	152 5 31/32	22 7/8	54 2 1/8	19 3/4	82.55 3 1/4	85.7 3.374	97 3.819	34.15 1.344	M16 5/16	F214D1 F214T F214T	UEL214D1 UEL214-211D1 UEL214-212D1	14,000	9,900
75 2 15/16 3	UELF215D1 UELF215-215T UELF215-300T	200 7 7/8	159 6 1/4	22 7/8	56 2 7/32	19 3/4	88.7 3 31/64	92 3.622	102 4.016	37.3 1.469	M16 5/16	F215D1 F215T F215T	UEL215D1 UEL215-215D1 UEL215-300D1	14,900	11,130

Units: **Millimeters**  
**INCHES**



### FLANGED UNITS - CAST HOUSING (FOUR BOLT)

Shaft Dia.	Complete Flanged Unit Number	Nominal Dimensions									Bolt Size	Housing Number	Bearing Number	Basic Load Ratings (lbs)	
		a	e	g	l	s	z	L	Di	n				Dynamic C	Static Co
25 7/8 1 1/16 1	UEL305D1 UEL305-014T UEL305-015T UEL305-100T	110 4 1 1/2	80 3 5/8	13 1/2	29 1 5/8	16 5/8	46.1 1 13/16	46.8 1.843	42.8 1.685	16.7 .657	M14 1/2	F305D1 F305T F305T F305T	UEL305D1 UEL305-014D1 UEL305-015D1 UEL305-100D1	4,750	2,460
30 1 1/8 1 3/16	UEL306D1 UEL306-102T UEL306-103T	125 4 2 3/8	95 3 3/4	15 1 1/2	32 1 1/4	16 5/8	50.5 1 63/64	50 1.969	50 1.969	17.5 .689	M14 1/2	F306D1 F306T F306T	UEL306D1 UEL306-102D1 UEL306-103D1	6,000	3,400
35 1 1/4 1 5/16 1 3/8 1 7/16	UEL307D1 UEL307-104T UEL307-105T UEL307-106T UEL307-107T	135 5 5/16	100 3 15/16	16 5/8	36 1 1 3/8	19 3/4	53.3 2 3/8	51.6 2.031	55 2.165	18.3 .720	M16 5/8	F307D1 F307T F307T F307T F307T	UEL307D1 UEL307-104D1 UEL307-105D1 UEL307-106D1 UEL307-107D1	7,500	4,300
40 1 1/2	UEL308D1 UEL308-108T	150 5 2 3/8	112 4 1 1/2	17 2 1/2	40 1 9/16	19 3/4	60.3 3 3/8	57.1 2.248	63.5 2.500	19.8 .780	M16 5/8	F308D1 F308T	UEL308D1 UEL308-108D1	9,150	5,400
45 1 5/8 1 11/16 1 3/4	UEL309D1 UEL309-110T UEL309-111T UEL309-112T	160 6 5/16	125 4 2 3/8	18 2 3/8	44 1 2 3/8	19 3/4	63.9 2 3 3/64	58.7 2.311	70 2.756	19.8 .780	M16 5/8	F309D1 F309T F309T F309T	UEL309D1 UEL309-110D1 UEL309-111D1 UEL309-112D1	11,900	7,200
50 1 7/8 1 15/16	UEL310D1 UEL310-114T UEL310-115T	175 6 7/8	132 5 3/16	19 3/4	48 1 7/8	23 2 3/8	70 2 3/4	66.6 2.622	76.2 3.000	24.6 .969	M20 3/4	F310D1 F310T F310T	UEL310D1 UEL310-114D1 UEL310-115D1	13,900	8,600
55 2 2 1/8 2 3/16	UEL311D1 UEL311-200T UEL311-202T UEL311-203T	185 7 5/8	140 5 1/2	20 2 1/2	52 2 1/16	23 2 3/8	75.2 2 61/64	73 2.874	83 3.268	27.8 1.094	M20 3/4	F311D1 F311T F311T F311T	UEL311D1 UEL311-200D1 UEL311-202D1 UEL311-203D1	16,100	10,100
60 2 1/4 2 3/8 2 7/16	UEL312D1 UEL312-204T UEL312-206T UEL312-207T	195 7 11/16	150 5 2 3/8	22 7/8	56 2 7/8	23 2 3/8	81.45 3 1 3/64	79.4 3.126	89 3.504	30.95 1.219	M20 3/4	F312D1 F312T F312T F312T	UEL312D1 UEL312-204D1 UEL312-206D1 UEL312-207D1	18,400	11,700
65 2 1/2	UEL313D1 UEL313-208T	208 8 3/16	166 6 1 7/8	22 7/8	58 2 3/8	23 2 3/8	86.15 3 2 5/64	85.7 3.374	97 3.819	32.55 1.281	M20 3/4	F313D1 F313T	UEL313D1 UEL313-208D1	20,800	13,400
70 2 11/16 2 3/4	UEL314D1 UEL314-211T UEL314-212T	226 8 2 3/8	178 7	25 3 1/2	61 2 1 3/8	25 2 3/8	93.95 3 4 5/64	92.1 3.626	102 4.016	34.15 1.344	M22 7/8	F314D1 F314T F314T	UEL314D1 UEL314-211D1 UEL314-212D1	23,400	15,300
75 2 15/16 3	UEL315D1 UEL315-215T UEL315-300T	236 9 5/8	184 7 1/4	25 3 1/2	66 2 1 1/2	25 2 3/8	101.7 4	100 3.937	113 4.449	37.3 1.469	M22 7/8	F315D1 F315T F315T	UEL315D1 UEL315-215D1 UEL315-300D1	25,500	17,400
80 3 1/8 3 3/16	UEL316D1 UEL316-302T UEL316-303T	250 9 2 3/8	196 7 2 3/8	27 1 1/16	68 2 1 1/16	31 1 7/8	103.9 4 3/8	106.4 4.189	119 4.685	40.5 1.594	M27 1	F316D1 F316T F316T	UEL316D1 UEL316-302D1 UEL316-303D1	27,600	19,500
85 3 1/4	UEL317D1 UEL317-304T	260 10 1/4	204 8 1/2	27 1 1/16	74 2 2 3/8	31 1 7/8	111.45 4 2 5/64	109.5 4.311	127 5.000	42.05 1.656	M27 1	F317D1 F317T	UEL317D1 UEL317-304D1	29,800	21,800
90 3 7/16 3 1/2	UEL318D1 UEL318-307T UEL318-308T	280 11 1/2	216 8 1/2	30 1 3/16	76 3	35 1 3/8	116.25 4 3 7/64	115.9 4.563	133 5.236	43.65 1.719	M30 1 1/8	F318D1 F318T F318T	UEL318D1 UEL318-307D1 UEL318-308D1	32,000	24,100
95 3 3/4	UEL319D1 UEL319-312T	290 11 1 3/8	228 8 3 3/8	30 1 3/16	94 3 1 1/16	35 1 3/8	142.4 5 3 3/64	122.3 4.815	140 5.512	38.9 1.531	M30 1 1/8	F319D1 F319T	UEL319D1 UEL319-312D1	34,500	26,600
100 3 15/16 4	UEL320D1 UEL320-315T UEL320-400T	310 12 7/8	242 9 1 7/8	32 1 1/4	94 3 1 1/16	38 1 1/2	137.6 5 2 7/64	128.6 5.063	146 5.748	50 1.969	M33 1 1/4	F320D1 F320T F320T	UEL320D1 UEL320-315D1 UEL320-400D1	39,000	31,500
105	UEL321D1	310	242	32	94	38	150.3	139.7	157	48.4	M33	F321D1	UEL321D1	41,500	34,500
110	UEL322D1	340	266	35	96	41	152.1	141.3	168	49.2	M36	F322D1	UEL322D1	46,000	40,500